

SAMSUNG PROPRIETARY
 THIS DOCUMENT CONTAINS CONFIDENTIAL
 PROPRIETARY INFORMATION THAT IS
 SAMSUNG ELECTRONICS CO.'S PROPERTY.
 DO NOT DISCLOSE TO OR DUPLICATE FOR OTHERS
 EXCEPT AS AUTHORIZED BY SAMSUNG.

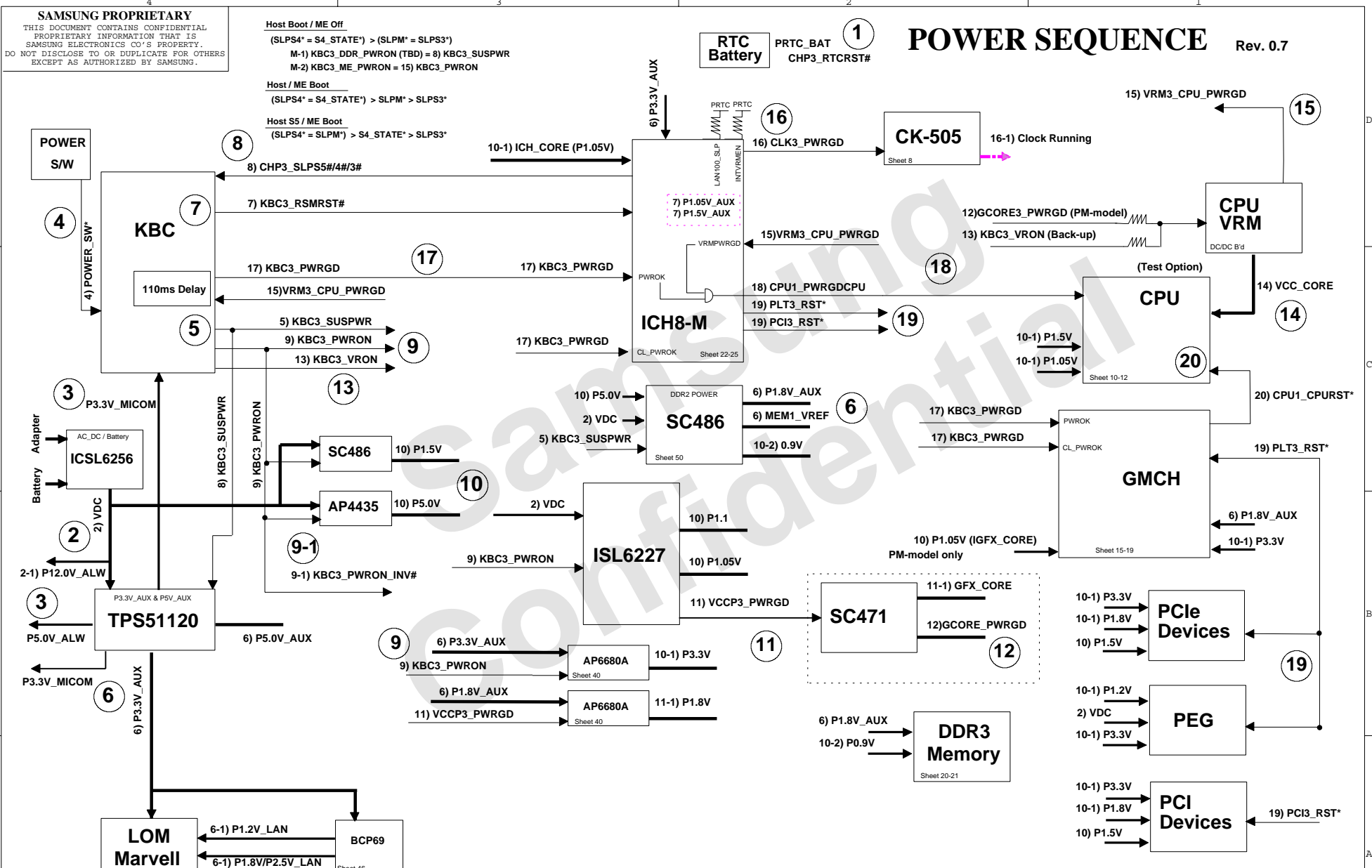
Host Boot / ME Off
 (SLPS4* = S4_STATE*) > (SLPM* = SLPS3*)
 M-1) KBC3_DDR_PWRON (TBD) = 8) KBC3_SUSPWR
 M-2) KBC3_ME_PWRON = 15) KBC3_PWRON

Host / ME Boot
 (SLPS4* = S4_STATE*) > SLPM* > SLPS3*

Host S5 / ME Boot
 (SLPS4* = SLPM*) > S4_STATE* > SLPS3*

POWER SEQUENCE

Rev. 0.7



DESIGN	DAI QINGZHU,	DATE	8/16/2009	TITLE	Scala_14L	SAMSUNG ELECTRONICS
CHECK	WU SHIJIANG,	DEV. STEP	PR	MAIN		
APPROVAL	BC LEE,	REV	1.0	POWER SEQUENCE	PART NO.	BA41-01335A
MODULE CODE		LAST EDIT	August 06, 2010 15:15:45 PM		PAGE	6 OF 60