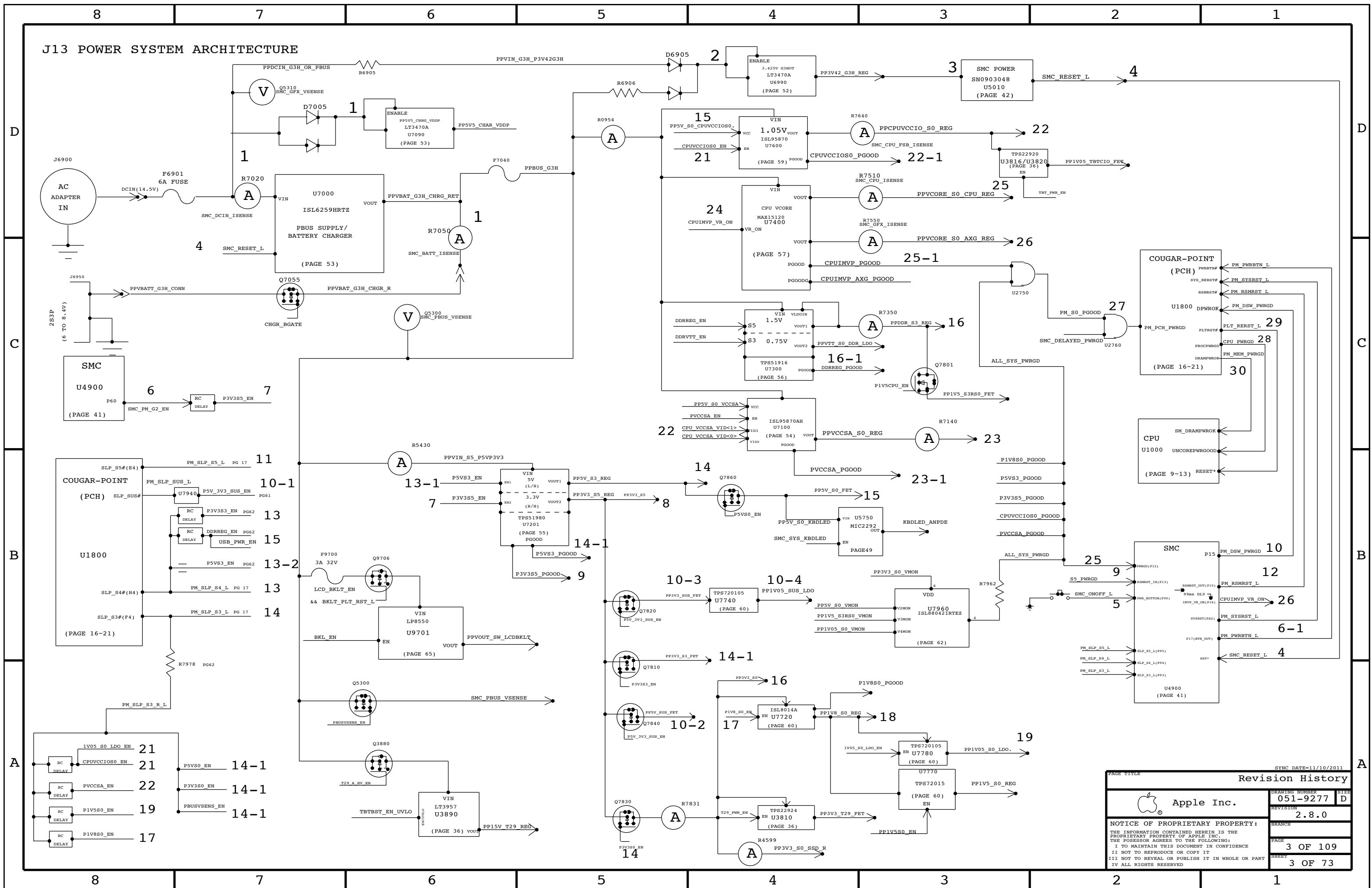


J13 POWER SYSTEM ARCHITECTURE



Revision History		
Apple Inc.	Drawing Number	051-9277
	Revision	2.8.0
	Branch	
	Page	3 OF 109
	Sheet	3 OF 73

NOTICE OF PROPRIETARY PROPERTY:
 THE INFORMATION CONTAINED HEREIN IS THE PROPRIETARY PROPERTY OF APPLE INC. THE POSSESSOR AGREES TO THE FOLLOWING:
 I TO MAINTAIN THIS DOCUMENT IN CONFIDENCE
 II NOT TO REPRODUCE OR COPY IT
 III NOT TO REVEAL OR PUBLISH IT IN WHOLE OR PART
 IV ALL RIGHTS RESERVED